

**SINGER**  
**110W100**

# INDEX

---

COPYRIGHT, U.S.A., 1919 and 1922, BY THE SINGER MANUFACTURING CO.  
ALL RIGHTS RESERVED FOR ALL COUNTRIES

	PAGE
ACCESSORIES .....	17
BOBBIN WINDER .....	17
FEED GEARS .....	20
KNEE LIFTER .....	18
MACHINE No. 110w100 .....	7
NUMERICAL LIST OF PARTS .....	21

From the library of: Diamond Needle Corp

# Instructions for Ordering

In ordering from this list, use **ONLY** the **PART** number in the **FIRST** column.

The number stamped on a Sewing Machine Part is the number of the Single Part only, except when the part includes Set Screws, Clamping Screws, Studs and Rollers Spun on, Small Wires-riveted, or Parts soldered together, etc., which it is necessary to furnish in combination.

Every combination of parts sent out has its specific number which, although not stamped on Parts (except in above cases) must be used when ordering the combination.

Each number always indicates the **SAME PART** in whatever list it appears, or for whatever Machine.

The letters after some of the numbers indicate the style of finish only, as follows:

- A. Hardened, Polished and Plated.
- B. Polished and Plated.
- C. Hardened only.
- D. Polished only.
- E. Soft, not polished.
- F. Hardened and Polished.
- H. Blued.

These letters **MUST BE USED** when they appear in the list and **AFTER** the number, as in the list.

In this series

- 200001 to 201500 are Screw Numbers.
- 201501 to 201800 are Nut Numbers.
- 201801 to 202000 are Roller Numbers.
- 202001 and upward are numbers of Machine Parts.

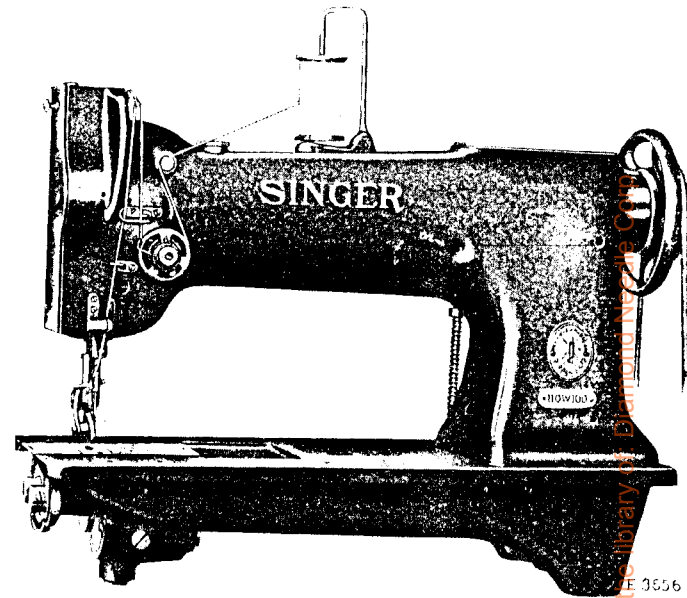
The figures in the second column refer only to the plate in which the illustration of the part is shown and are **NOT TO BE USED** in ordering.

Two or more numbers over a cut indicate that the difference between such parts is not visible in an illustration.

Parts marked with an asterisk (\*) are furnished only when repairs are made at the factory.

## LIST OF PARTS COMPLETE

FOR



## MACHINE No. 110w100

VERTICAL HOOK. ROLLER PRESSER.

CONTINUOUS WHEEL FEED

For Leather Work

No.	Plate	Name
*237701	---	Arm .....
202247	14177	" Cap .....
200278H	14176	" " Screw .....
202248	14176	" " " Washer .....
8582	14176	" Position Pin (2) .....
200010E	14176	" Screw (2) .....
200004E	14176	" " .....
202005	14176	" " Washer (3) .....
237702	14178	" Shaft with 200357E and 203100 .....
237748	14177	" " Bushing (back) with .....
		202299 .....

From the Library of the Smithsonian Institution

No.	Plate	Name
202299	—	Arm Shaft Bushing (back) Oil Packing (wick) .....
200071E	14176	Arm Shaft Bushing (back) Screw (3) .....
202245	14177	Arm Shaft Bushing (front) with 202036 and 202260 .....
202260	—	Arm Shaft Bushing (front) Oil Packing (wick) .....
200502R	14176	Arm Shaft Bushing (front) Oil Packing Thumb Screw .....
202036	14176	Arm Shaft Bushing (front) Position Pin .....
200338c	14176	Arm Shaft Bushing (front) Set Screw .....
203100	—	Arm Shaft Oil Packing (wick) ...
200357E	14176	" " " " Stop Screw ..
202632	14177	" Side Plate .....
200462B	14176	" " " Thumb Screw ....
223842	14178	Balance Wheel (belt groove 2 $\frac{3}{4}$ in. diam.) with 200328c and 200335c
200062H	14176	Balance Wheel Adjusting Screw ..
200328c	14176	" " Position Screw ...
200335c	14176	" " Set Screw .....
*237705	—	Bed .....
202258	12345	" Hinge Connection (2) .....
200570E	14176	" " " Screw (4) ....
213750	14177	" Slide (back) .....
237706	14177	" " (front) .....
203470	14176	Bobbin .....
*203520	—	" Case .....
203648	14176	" " Latch .....
*202056	—	" " " Pin .....
203473	14176	" " " Plunger .....
203474	14176	" " " Spring .....
236078	14176	" " Lever .....
203476	14176	" " " Eccentric .....
204243	14176	" " " Position Pin .....
235751	14176	" " " Fulcrum .....
200056D	10882	" " " Screw ....
203478	14176	" " " Slide Stud .....
203214	14176	" " Tension Spring .....
200984c	14176	" " " " Regulat- ing Screw .....
200594c	14176	Bobbin Case Tension Spring Screw
203216	—	" " Washer (cloth) .....
203521	14176	Bobbin Case complete, Nos. 200594c, 200984c, 202056, 203214, 203216, 203473, 203474, 203520 and 203648 .....

223570D

No.	Plate	Name
210911	14177	Face Plate .....
202135	14176	" " Position Pin .....
200473B	14176	" " Thumb Screw .....
237707	14177	Feed Wheel .....
350085F	14179	" " Adjusting Screw .....
237708	14179	" " " " Block
237709	14180	" " Bracket .....
237710	14179	" " " Spring .....
237713	14179	" " Driving Gear with 200382c and 201220c (for 16 stitches) .....
201220c	14179	Feed Wheel Driving Gear Position Screw .....
200382c	14179	Feed Wheel Driving Gear Set Screw
237718	14179	" " " Pinion with 200382c and 201220c (for 16 stitches) .....
201220c	14179	Feed Wheel Driving Pinion Posi- tion Screw .....
200382c	14179	Feed Wheel Driving Pinion Set Screw .....
237721	14178	Feed Wheel Driving Shaft .....
237722	14179	" " " " Bushing (back) .....
237723	14179	Feed Wheel Driving Shaft Bushing (front) .....
200362c	14179	Feed Wheel Driving Shaft Bushing Set Screw .....
221743	14179	Feed Wheel Driving Shaft Collar with two 200380c .....
200380c	14179	Feed Wheel Driving Shaft Collar Set Screw .....
237724	14179	Feed Wheel Driving Shaft Gear with 200378c and 201220c .....
201220c	14179	Feed Wheel Driving Shaft Gear Po- sition Screw .....
200378c	14179	Feed Wheel Driving Shaft Gear Set Screw .....
237725	14179	Feed Wheel Stud .....
201697c	14179	" " " Nut .....
*203482	—	Hook (sewing) .....
237726	14181	" 203482 with 201253E, 201376E and 221148 .....
237727	—	Hook and Bobbin Case complete, Nos. <del>200521</del> and <del>237726</del> <i>200521, 200594, 200984, 202056, 203214, 203216, 203473, 203474, 203520 and 203648</i> .....
235755	14181	Hook Bevel Gear Socket, 18 teeth
235527	14181	" " " " Bushing (lower) (brass) .....
200362c	14179	Hook Bevel Gear Socket Bushing (lower) Set Screw .....

No.	Plate	Name
235756	14181	Hook Bevel Gear Socket Bushing (upper) (brass) .....
449c	14181	Hook Bevel Gear Socket Bushing (upper) Set Screw .....
200555H	14181	Hook Bevel Gear Socket Screw ..
235635	14181	" " " " Thrust Washer .....
235529	14181	Hook Driving Bevel Gear with two 350089c .....
350089c	14181	Hook Driving Bevel Gear Set Screw
237728	14178	" " Shaft .....
235857	14181	" " Bevel Gear with 200374c and 200396c .....
237729	14180	Hook Driving Shaft Bevel Gear Housing with 200346c and three 200362c .....
237730	14180	Hook Driving Shaft Bevel Gear Housing Cap (bottom) .....
237731	14180	Hook Driving Shaft Bevel Gear Housing Cap (bottom) Gasket ..
237732	14180	Hook Driving Shaft Bevel Gear Housing Cap (side) .....
237733	14180	Hook Driving Shaft Bevel Gear Housing Cap (side) Gasket ....
200053c	14181	Hook Driving Shaft Bevel Gear Housing Cap Screw (4) .....
200485E	14181	Hook Driving Shaft Bevel Gear Housing Oil Stop Screw .....
201082E	14181	Hook Driving Shaft Bevel Gear Housing Screw (long) .....
201308E	14181	Hook Driving Shaft Bevel Gear Housing Screw (short) .....
200396c	11607	Hook Driving Shaft Bevel Gear Position Screw .....
200374c	14181	Hook Driving Shaft Bevel Gear Set Screw .....
237734	14181	Hook Driving Shaft Bushing (back)
200362c	14179	" " " " " " Set Screw .....
235531	14181	Hook Driving Shaft Bushing (front)
200347c	14181	" " " " " " Set Screw .....
221743	14179	Hook Driving Shaft Collar with two 200380c .....
200380c	14179	Hook Driving Shaft Collar Set Screw .....
221148	14181	Hook Gib .....
201376F	14181	" " Hinge Screw .....
201253F	14181	" " Screw .....

No.	Plate	Name
237735	14180	Hook Saddle with 449c, 200347c and three 200362c .....
235534	14182	Hook Saddle Oil Cover .....
201185D	14182	" " " " Screw (2) ..
201318E	14182	" " " Stop Screw (2) ..
235535	-----	" " Oiling Felt .....
202260	-----	" " Wick .....
235649	14182	" " " " Cover ....
200169H	14182	" " " " " Screw
201308E	14181	" " Screw (2) .....
213018	-----	" Washer .....
203507	14182	" " 213018 with 203476 and two 204243 .....
202987	11616	Knee Lifter Connection Lever with 202446 .....
200224H	14182	Knee Lifter Connection Lever Hinge Screw .....
202447	11616	Knee Lifter Connection Lever Lifting Rod with 202302 .....
202302	14182	Knee Lifter Connection Lever Lifting Rod Cotter Pin .....
202446	14182	Knee Lifter Connection Lever Pin
202687	11616	" " Lifting Lever .....
200262H	14182	" " " " Hinge Screw .....
237736	14182	Needle Bar with 200141F .....
202552	11607	" " Connecting Link ....
202663	11607	" " " " Oil Guard .....
200161D	11607	Needle Bar Connecting Link Oil Guard Screw .....
202333	11607	Needle Bar Connecting Link Stud with 202254 .....
202254	-----	Needle Bar Connecting Link Stud Oil Packing (wick) .....
200374c	14181	Needle Bar Connecting Link Stud Set Screw .....
200383c	14182	Needle Bar Connecting Link Stud Set Screw .....
*206891	-----	Needle Bar Connecting Stud .....
202329	11607	" " " " 206891 with 200086c and 202330 .....
202330	-----	Needle Bar Connecting Stud Oil Packing (wick) .....
200086c	11607	Needle Bar Connecting Stud Pinch Screw .....
202692	14183	Needle Bar Crank with 200335c, 200374c, 200383c, 200428c and 202333 .....

No.	Plate	Name
237737	—	Needle Bar Crank 202692 with 202329, 202398 to 202400 and 202552 .....
203172	11607	Needle Bar Crank Friction Washer
200428c	11607	" " " Position Screw..
200335c	14176	" " " Set Screw .....
202664	14183	" " Rock Frame .....
237738	—	" " " " 202664 with 237736 .....
*38127	—	Needle Bar Rock Frame Driving Eccentric .....
*237749	—	Needle Bar Rock Frame Driving Eccentric Body .....
350107c	—	Needle Bar Rock Frame Driving Eccentric Body Position Screw..
443c	14182	Needle Bar Rock Frame Driving Eccentric Body Set Screw .....
21331	14182	Needle Bar Rock Frame Driving Eccentric Pressure Spring .....
21332	14182	Needle Bar Rock Frame Driving Eccentric Pressure Spring Cap..
934b	14182	Needle Bar Rock Frame Driving Eccentric Pressure Spring Cap Screw .....
1103c	14182	Needle Bar Rock Frame Driving Eccentric Regulating Screw ...
196f	14182	Needle Bar Rock Frame Driving Eccentric Set Screw .....
227750	—	Needle Bar Rock Frame Driving Eccentric complete, Nos. 196f, 443c, 934b, 1103c, 21331, 21332, 38127, 237749 and 350107c .....
237739	14183	Needle Bar Rock Frame Driving Fork Lever with 200029c .....
200029c	14182	Needle Bar Rock Frame Driving Fork Lever Pinch Screw .....
237740	14182	Needle Bar Rock Frame Driving Fork Lever Slide Block (2) .....
210910	11607	Needle Bar Rock Frame Hinge Stud with 202277 .....
202277	—	Needle Bar Rock Frame Hinge Stud Oil Packing (wick) .....
200347c	14181	Needle Bar Rock Frame Hinge Stud Set Screw .....
202666	11607	Needle Bar Rock Frame Position Bracket .....
200098f	11607	Needle Bar Rock Frame Position Bracket Screw .....
202667	11616	Needle Bar Rock Frame Rock Shaft .....

No.	Plate	Name
210978	—	Needle Bar Rock Frame Rock Shaft 202667 with 200386c and 210920 .....
202668	11607	Needle Bar Rock Frame Slide Block .....
210920	—	Needle Bar Rock Frame Slide Block 202668 with 201141c .....
201141c	14182	Needle Bar Rock Frame Slide Block Screw Stud .....
200386c	11607	Needle Bar Rock Frame Slide Block Screw Stud Set Screw ..
200141f	11607	Needle Set Screw .....
207072	11607	Presser Bar Bushing (2) .....
200352c	14182	" " " Set Screw (2)
202671	14182	" " Lifter .....
200653c	14182	" " " Hinge Screw ..
202672	14184	" " Lifting Releasing Lever Bracket .....
200975f	14184	Presser Bar Lifting Releasing Lever Bracket Guide Screw .....
202342	14184	Presser Bar Lifting Releasing Lever Bracket Spring (spiral) .....
202337	14184	Presser Bar Position Guide .....
202338	14184	" " " " Lever with 200086c .....
200086c	11607	Presser Bar Position Guide Lever Pinch Screw .....
200352c	14182	Presser Bar Position Guide Set Screw .....
210948	11616	Presser Bar Spring (flat) .....
210949	14184	" " " Bracket with 200086c .....
200086c	11607	Presser Bar Spring Bracket Pinch Screw .....
200538c	14184	Presser Bar Spring Regulating Screw .....
200948f	14184	Presser Bar Spring Support Screw
201910	14184	Roller Presser, $\frac{3}{8}$ in. diam., $\frac{1}{4}$ in. face (coarse), with 200551f and 201534h .....
204328	14184	Roller Presser Arm .....
204570	—	" " " 204328 with 201910 .....
202560	14184	Roller Presser Arm Bracket (swing) .....
204575	—	Roller Presser Arm Bracket 202560 with 200096b and 204570 .....
200675c	14184	Roller Presser Arm Bracket Position Screw Stud .....

No.	Plate	Name
202558	14184	Roller Presser Arm Bracket Spring
202559	14184	" " " " "
		Stop .....
200141F	11607	Roller Presser Arm Bracket Spring Stop Screw .....
200096D	14184	Roller Presser Arm Screw .....
202557	14183	" " Bar .....
200551F	14184	" " Hinge Screw .....
201534H	14184	" " " " Nut .....
237753	—	Roller Presser and Bar complete, Nos. 200675c, 202557 to 202559, 204575 and two 200141F .....
202068	14183	Spool Holder Base .....
200575H	14184	" " " Screw .....
204296	14183	" " Wire .....
200079H	14184	" " " Hinge Screw .....
204297	14183	Spool Holder complete, Nos. 200079H, 202068 and 204296 .....
202398	11609	Take-up Lever .....
202399	11609	" " Driving Stud with 202277 .....
202277	—	Take-up Lever Driving Stud Oil Packing (wick) .....
202400	11609	Take-up Lever Hinge Stud with 202423 .....
202423	—	Take-up Lever Hinge Stud Oil Packing (wick) .....
200363c	14184	Take up Lever Hinge Stud Set Screw .....
202401	—	Take up Lever Oiling Felt .....
200132E	11609	" " " " Screw .....
202402	11610	Tension Disc (back) .....
210967	11610	" " (front) .....
210950	11609	" Release Driving Lever with 200394c and 202676 .....
202676	11609	Tension Release Driving Lever Pin
202677	11609	" " " " "
		Slide Bar .....
210966	—	Tension Release Driving Lever Pin Slide Bar 202677 with 200167F and 210952 .....
202678	11609	Tension Release Driving Lever Pin Slide Bar Spring .....
200394c	11609	Tension Release Driving Lever Set Screw .....
210951	11610	Tension Release Washer .....
202407	10881	" Spring .....
200625F	11610	" Stud with 204925 .....
200084F	14184	" " Set Screw .....

No.	Plate	Name
204925	11610	Tension Stud Washer .....
201572B	10881	" Thumb Nut .....
210953	11610	Tension complete, Nos. 200625F, 201572B, 202402, 202407, 202682, 210951 and 210967 .....
202682	11610	Thread Controller Spring .....
210952	11610	" " " Stop .....
200167E	11610	" " " " Screw .....
210954	11610	" Guide (lower) .....
210955	11610	" " (upper) .....
200582H	11610	" " Screw (3) .....
210956	11610	" Retainer Bracket with 200397H .....
200582H	11610	Thread Retainer Bracket Screw (2)
210960	11610	" " Disc .....
210961	11610	" " Plunger .....
210962	11610	" " " Spring .....
210993	11610	" " Sleeve .....
210963	11610	" " Socket .....
200368H	14184	" " " Set Screw .....
223844	14184	" " Spring .....
210957	11610	" " Stud .....
210958	11610	" " " Collar .....
200397H	11610	" " " Set Screw .....
210959	11610	Thread Retainer (lower) complete, Nos. 210956 to 210958, 210993 and 223844 .....
237741	14184	Throat Plate, 53 elongated needle hole, for needle sizes 14 and 15
200161D	11607	Throat Plate Clamp Screw .....
202062	14184	" " Position Pin .....
	691F	" " Screw .....
237744	14183	Vertical Shaft .....
237745	14185	" " Bevel Gear (lower)
205508	14185	" " " " "
		Position Pin .....
235857	14181	Vertical Shaft Bevel Gear (upper) with 200374c and 200396c .....
200396c	11607	Vertical Shaft Bevel Gear (upper) Position Screw .....
200374c	14181	Vertical Shaft Bevel Gear (upper) Set Screw .....
237734	14181	Vertical Shaft Bushing (lower) .....
200346c	14185	" " " " " Set Screw .....
237746	14185	Vertical Shaft Bushing (upper) .....
200382c	14179	" " " " " Set Screw .....

No.	Plate	Name
237747	14185	Vertical Shaft Driving Gear with 200374c and 200396c .....
200396c	11607	Vertical Shaft Driving Gear Position Screw .....
200374c	14181	Vertical Shaft Driving Gear Set Screw .....
237754	—	Vertical Shaft Oil Leader (lower) (brass) .....
237755	—	Vertical Shaft Oil Leader (upper) (brass) .....

## ACCESSORIES

No.	Plate	Name
200157B	14185	Attachment Screw .....
203470	14176	Bobbin (5) .....
*225482	—	" Case Screw Driver Blade ..
*225483	—	" " " " Handle ..
225497	12345	Bobbin Case Screw Driver complete, Nos. 225482 and 225483 ..
237714	—	Feed Wheel Driving Gear with 200382c and 201220c (for 17½ stitches) .....
237715	—	Feed Wheel Driving Gear with 200382c and 201220c (for 19 stitches) .....
237719	—	Feed Wheel Driving Pinion with 200382c and 201220c (for 17½ stitches) .....
237720	—	Feed Wheel Driving Pinion with 200382c and 201220c (for 19 stitches) .....
225487	14185	Roller Presser Hinge Screw Nut
16 x 4	—	Wrench .....
237756	—	Needles, six, two each, sizes 12, 14 and 16 .....
41400	12345	Drip Pan with four wood screws in. No. 5 .....
36578	12345	Machine Rest Pin (wood) .....
36579	12345	Oiler with 36579 .....
120117	—	" Spout, 3½ in. long, with 120117 .....
*225484	—	" " Washer (leather) .....
*225485	—	" " Handle .....
225498	12345	Screw Driver Blade .....
225554	12345	" " Handle .....
		Screw Driver complete (7½ in. long), Nos. 225484 and 225485 ..
		Wrench (steel) .....

### BOBBIN WINDER

#### Swing Automatic, Right Hand

*225.51	—	Bobbin Holder .....
225453	10882	Frame with 202277 and 225438 ..
225454	10882	" Hinge Pin .....
202277	—	" Oil Packing (wick) .....
225438	10882	" " Well Cap .....
225455	10882	" Spring .....
225456	10882	" " Plunger .....



No.	Plate	Name
202473	10883	Pulley with 200105c .....
200105c	14185	" Set Screw .....
*225443	-----	Spindle .....
225452	10882	" 225443 with 225451 .....
225444	10882	Stop Latch .....
200056E	10882	" " Screw .....
225458	10882	" " Thumb Lever .....
225459	10882	" " " " Hinge Stud .....
225460	10882	" " " " Joint Stud .....
202478	10882	" " Trip Lever .....
200299H	10882	" " " " Hinge Screw .....
225461	10881	Tension Bracket with 201499B ....
200082D	10881	" " Screw .....
228026	14185	" " " Washer .....
2102	10881	" Disc .....
202407	10881	" Spring .....
201499B	10881	" Stud .....
201572B	10881	" " Thumb Nut .....
225462	10881	Bobbin Winder Tension Bracket complete, Nos. 201572B, 202407, 225461 and two 2102 .....
225433	10883	Bobbin Winder and Tension Bracket Base .....
225436	10883	Universal Bobbin Winder complete, Nos. 200056E, 200082D, 200299H, 202473, 202478, 225433, 225444, 225452 to 225456, 225458 to 225460, 225462, 228026 and two wood screws $\frac{3}{4}$ in., No. 13, R.H.B. ...

## KNEE LIFTER

227781	11616	Knee Lifter Rock Lever with 200522c and 200529c .....
227782	---	Knee Lifter Rock Lever 227781 with two each 202451 and 202452
227787	---	Knee Lifter Rock Lever 227782 with 202203 and 227784 .....
202453	11616	Knee Lifter Rock Lever Knee Plate with 200526c .....
202203	---	Knee Lifter Rock Lever Knee Plate 202453 with 202454 .....
202454	11616	Knee Lifter Rock Lever Knee Plate Arm .....
200522c	14185	Knee Lifter Rock Lever Knee Plate Arm Set Screw .....
200526c	14185	Knee Lifter Rock Lever Knee Plate Set Screw .....

No.	Plate	Name
202451	11616	Knee Lifter Rock Lever Lug with two wood screws $\frac{3}{4}$ in., No. 13...
202452	14185	Knee Lifter Rock Lever Lug Hinge Pin .....
227784	11616	Knee Lifter Rock Lever Rod, 3 in. long, with 227785 .....
*227785	---	Knee Lifter Rock Lever Rod Cap or Oil Guard .....
200529c	14185	Knee Lifter Rock Lever Rod Set Screw .....

(Other Knee Lifter parts are listed with  
parts of machine head.)

### FEED GEARS

No.	Plate	Name
237711	—	Feed Wheel Driving Gear with 200382c and 201220c (for 14 stitches) .....
237712	—	Feed Wheel Driving Gear with 200382c and 201220c (for 15 stitches) .....
237713	14179	Feed Wheel Driving Gear with 200382c and 201220c (for 16 stitches) .....
237714	—	Feed Wheel Driving Gear with 200382c and 201220c (for 17½ stitches) .....
237715	—	Feed Wheel Driving Gear with 200382c and 201220c (for 19 stitches) .....
237751	—	Feed Wheel Driving Gear with 200382c and 201220c (for 23 stitches) .....
237716	—	Feed Wheel Driving Pinion with 200382c and 201220c (for 14 stitches) .....
237717	—	Feed Wheel Driving Pinion with 200382c and 201220c (for 15 stitches) .....
237718	14179	Feed Wheel Driving Pinion with 200382c and 201220c (for 16 stitches) .....
237719	—	Feed Wheel Driving Pinion with 200382c and 201220c (for 17½ stitches) .....
237720	—	Feed Wheel Driving Pinion with 200382c and 201220c (for 19 stitches) .....
237752	—	Feed Wheel Driving Pinion with 200382c and 201220c (for 23 stitches) .....

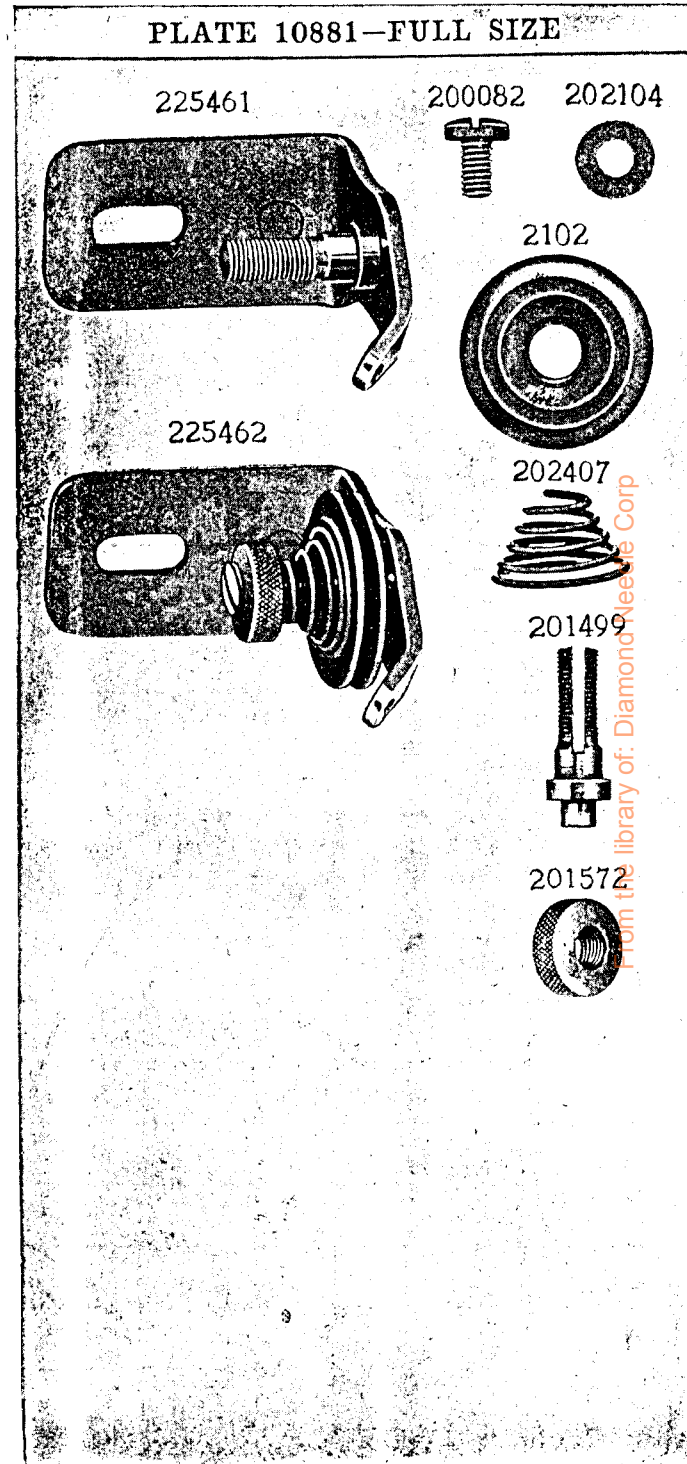


PLATE 10882—FULL SIZE

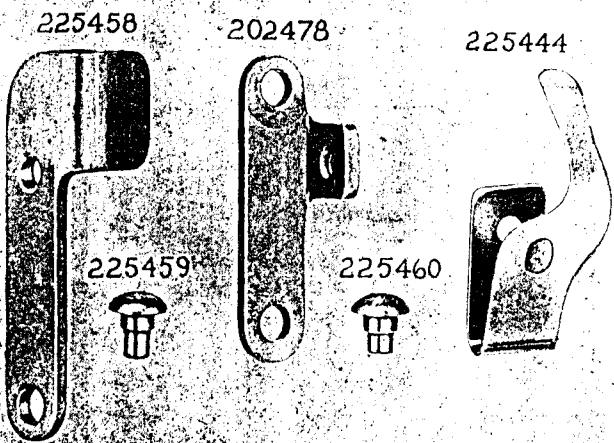
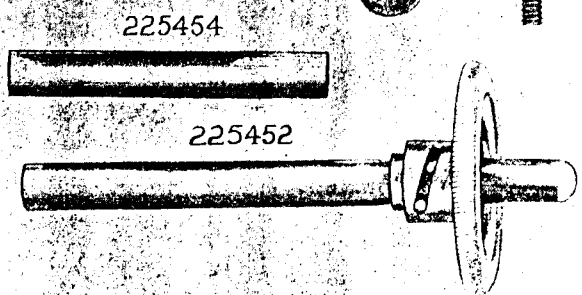
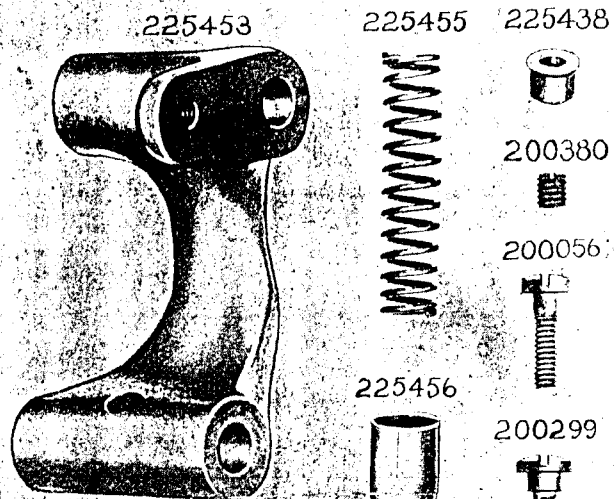
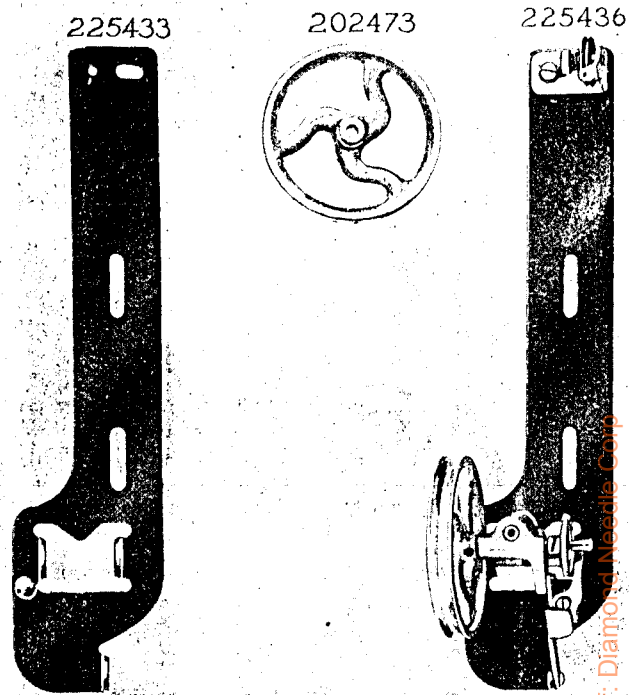


PLATE 10883 ONE-FOURTH SIZE



From the library of: Diamond Needle Corp

PLATE 11607 - FULL SIZE

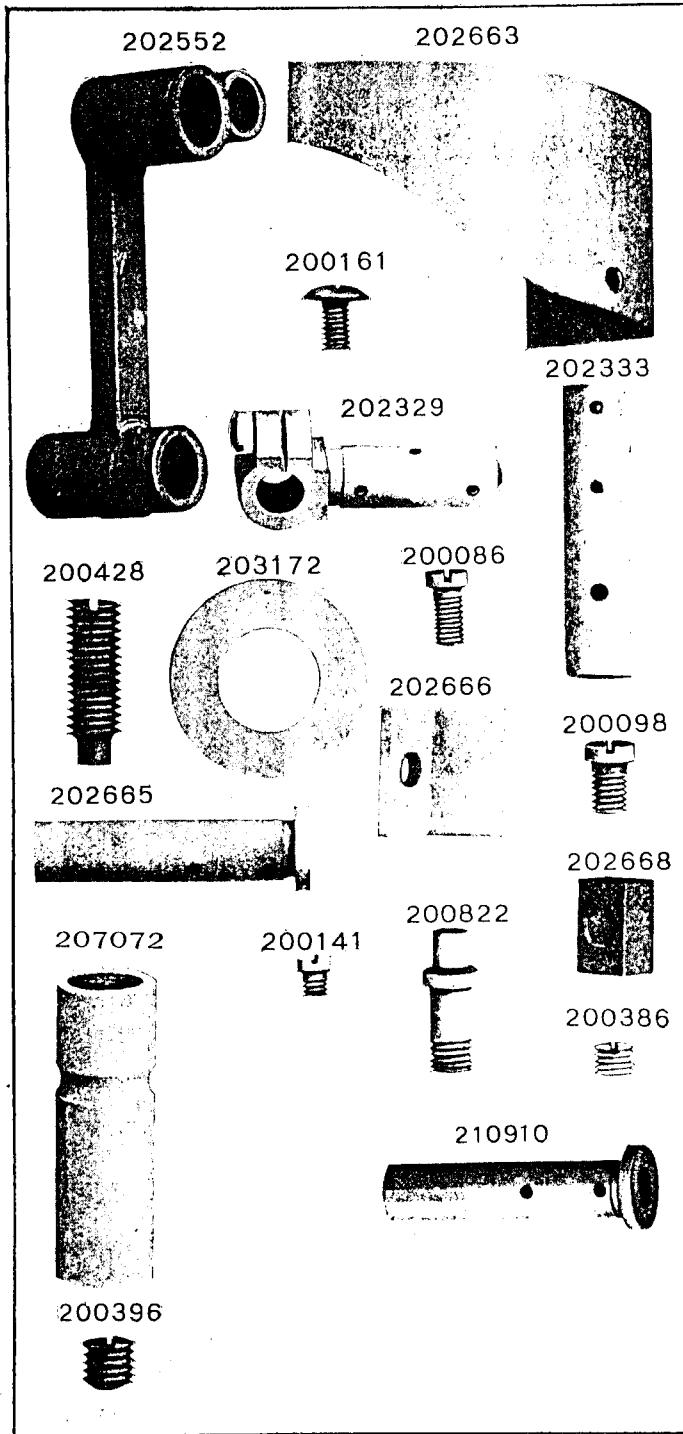
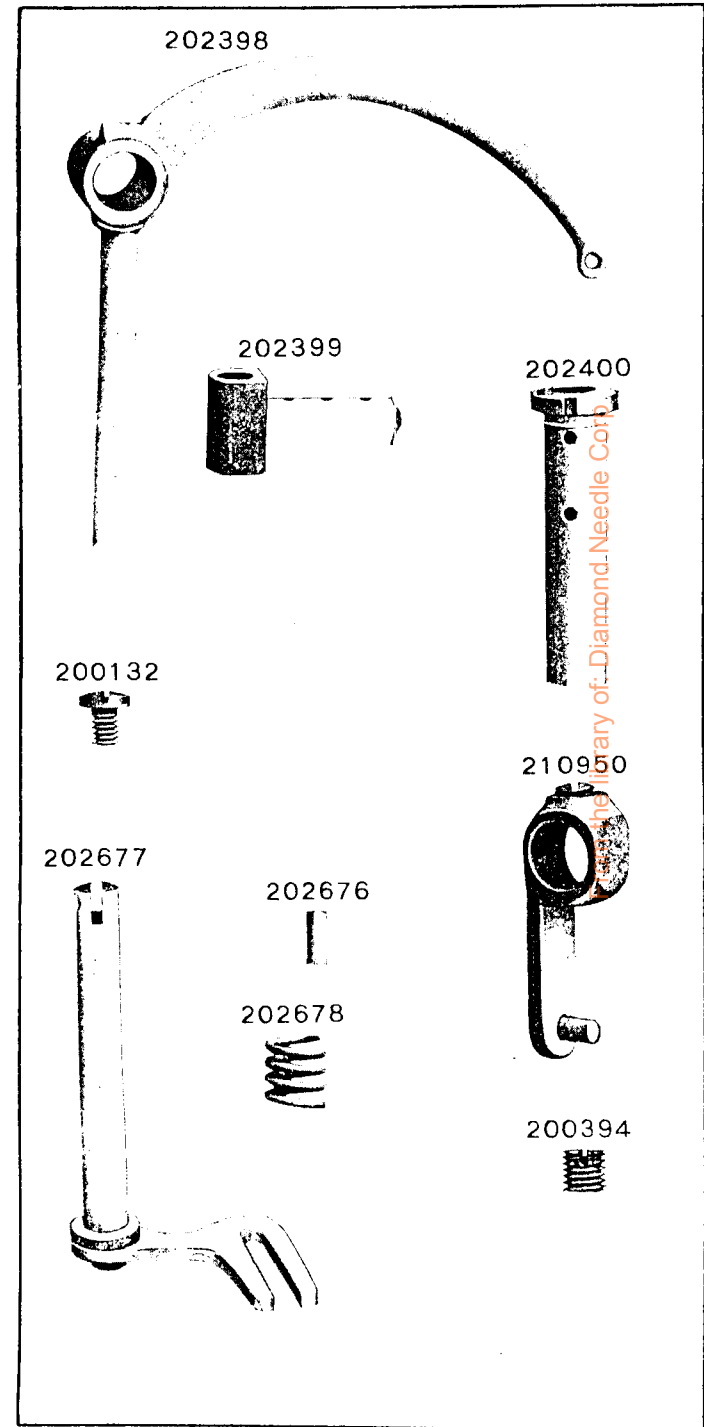


PLATE 11609 - FULL SIZE



Library of Diamond Needle Corp.

PLATE 11610 - FULL SIZE

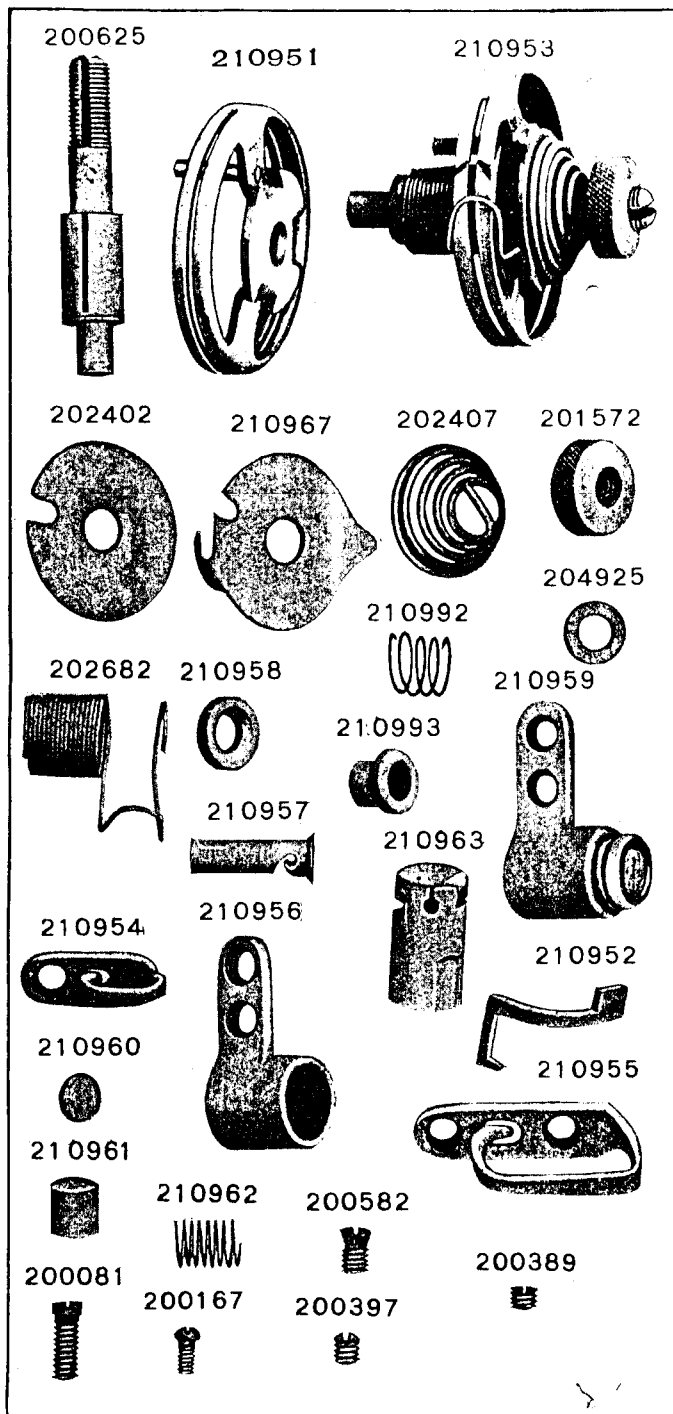


PLATE 11616 - ONE-FOURTH SIZE

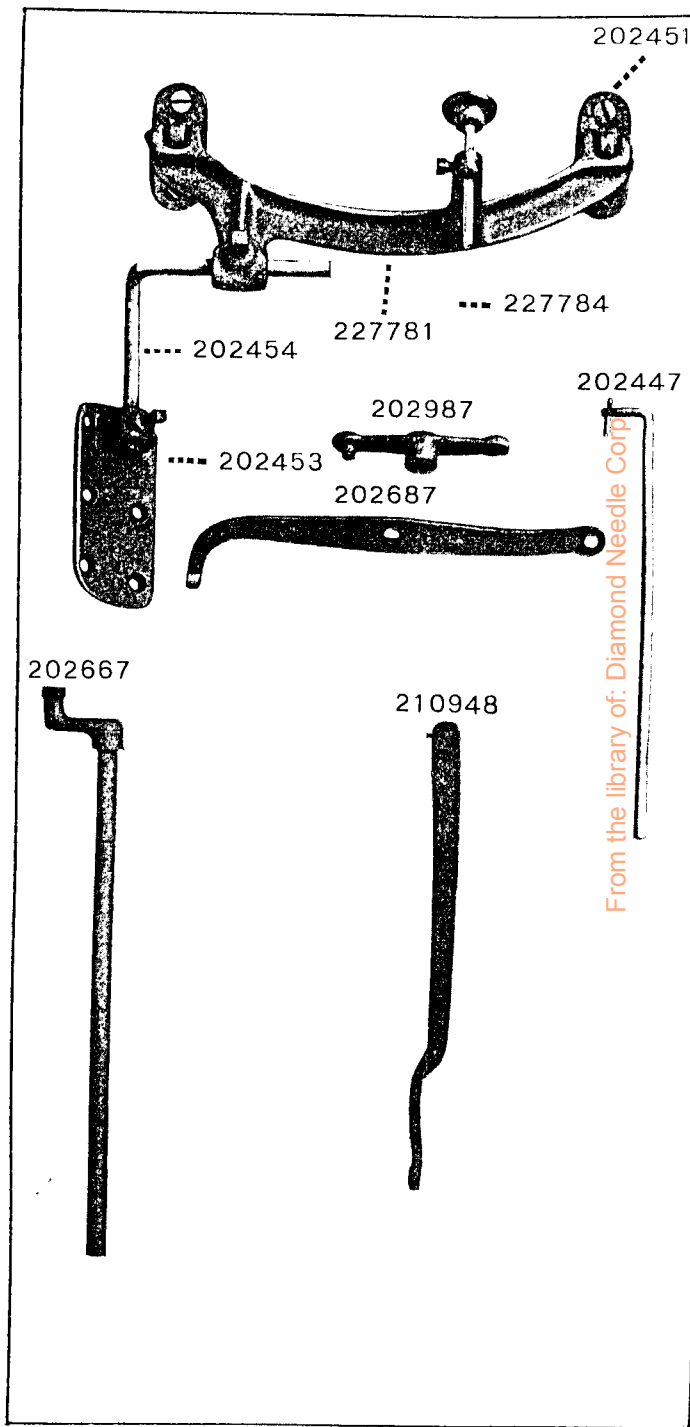


PLATE 12345—ONE-HALF SIZE

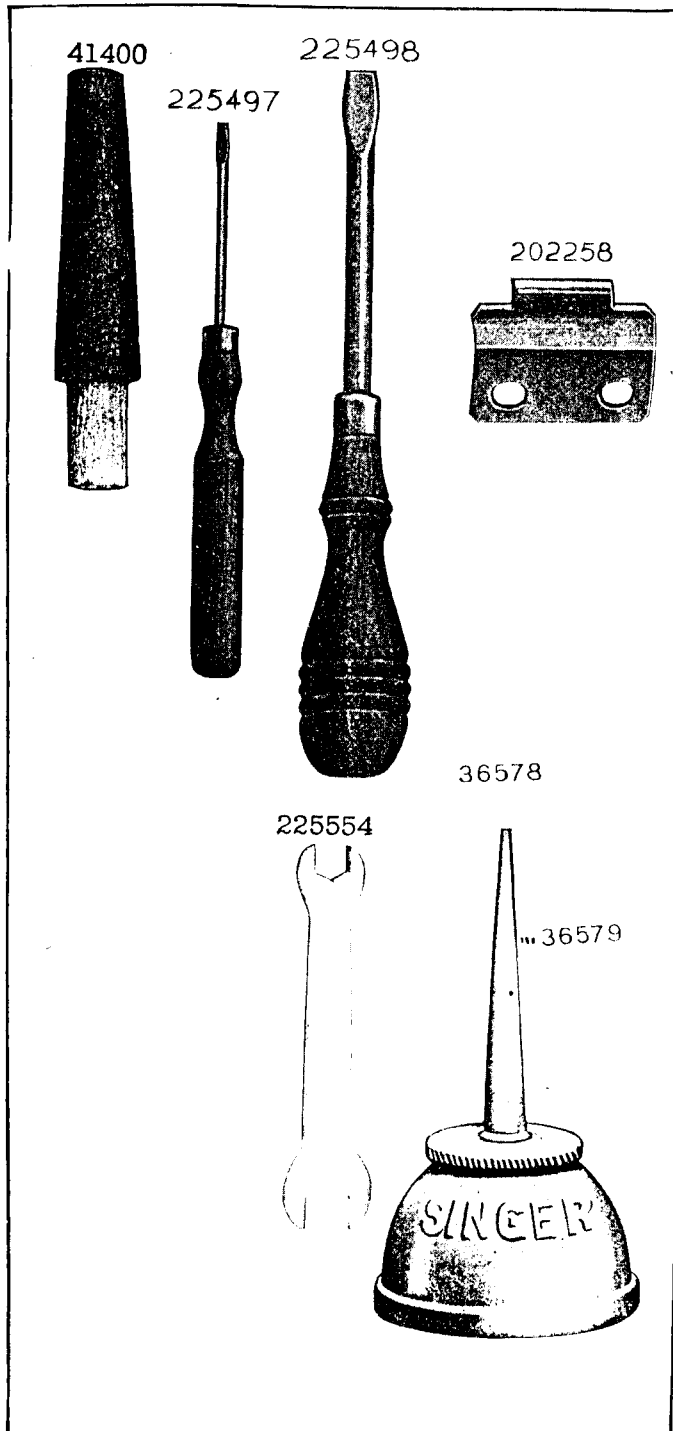
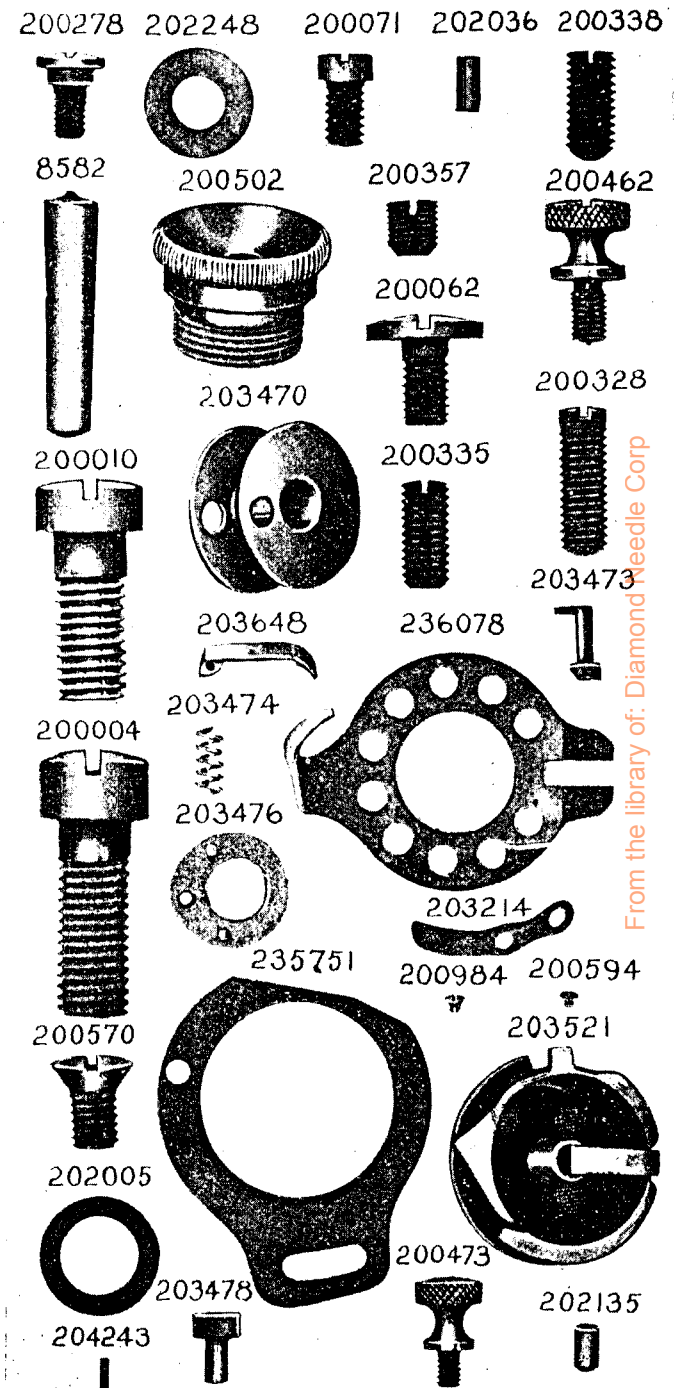


PLATE 14176—FULL SIZE

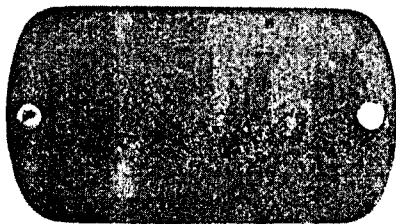


From the library of: Diamond Needle Corp



PLATE 14177—ONE-HALF SIZE

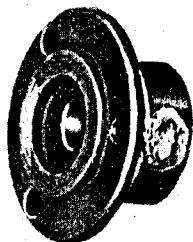
202247



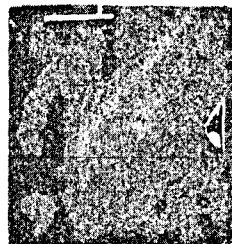
237706



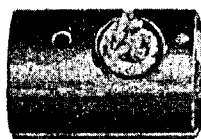
237748



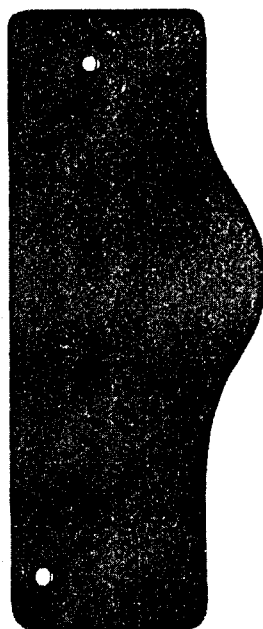
213750



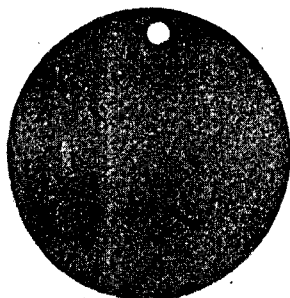
202245



210911



202632



237707

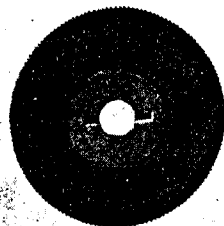


PLATE 14178—ONE-FOURTH SIZE

237721



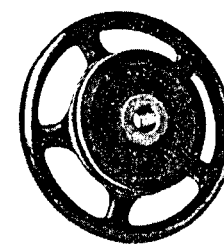
237702



237728



223842



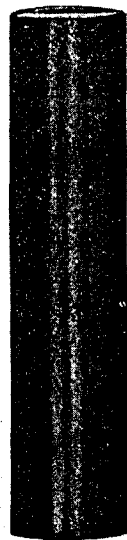
From the library of: Diamond Needle Corp

PLATE 14179—FULL SIZE

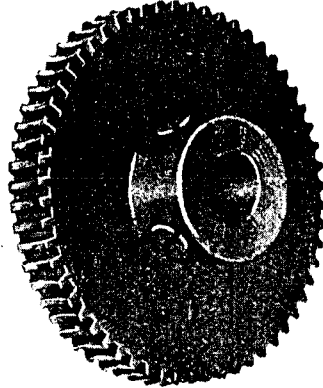
237723



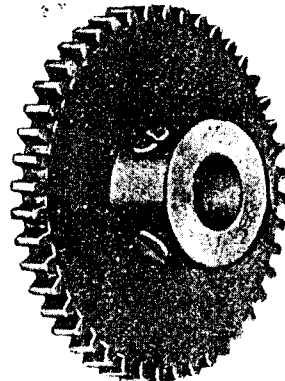
237722



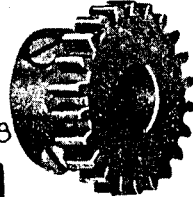
237724



237713



237718



237708



201697



237710



350085



200378



200382



201220



200362



200380



221743



237725

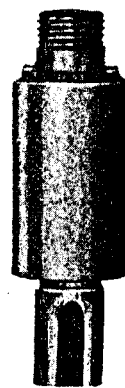
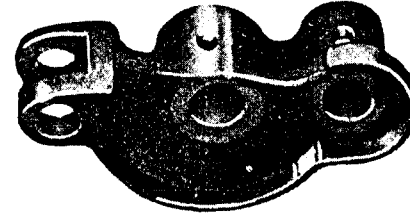
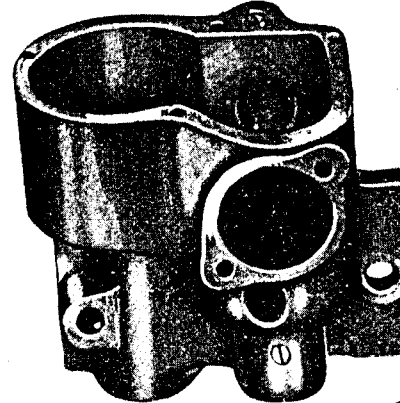


PLATE 14180—ONE-HALF SIZE

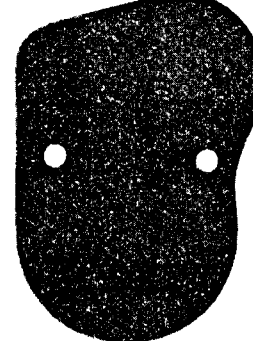
237709



237729



237732



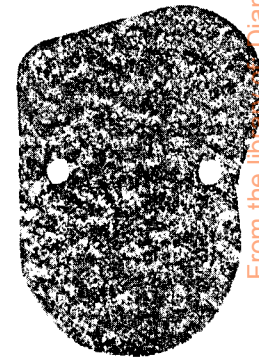
237730



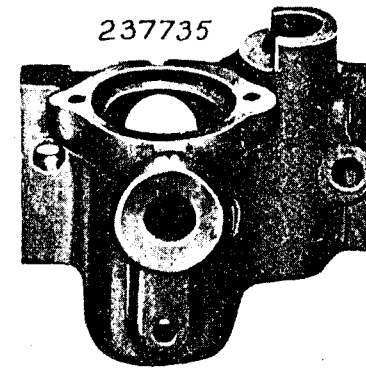
237731



237733



237735



From the library of Diamond Needle Corp



PLATE 14181—FULL SIZE

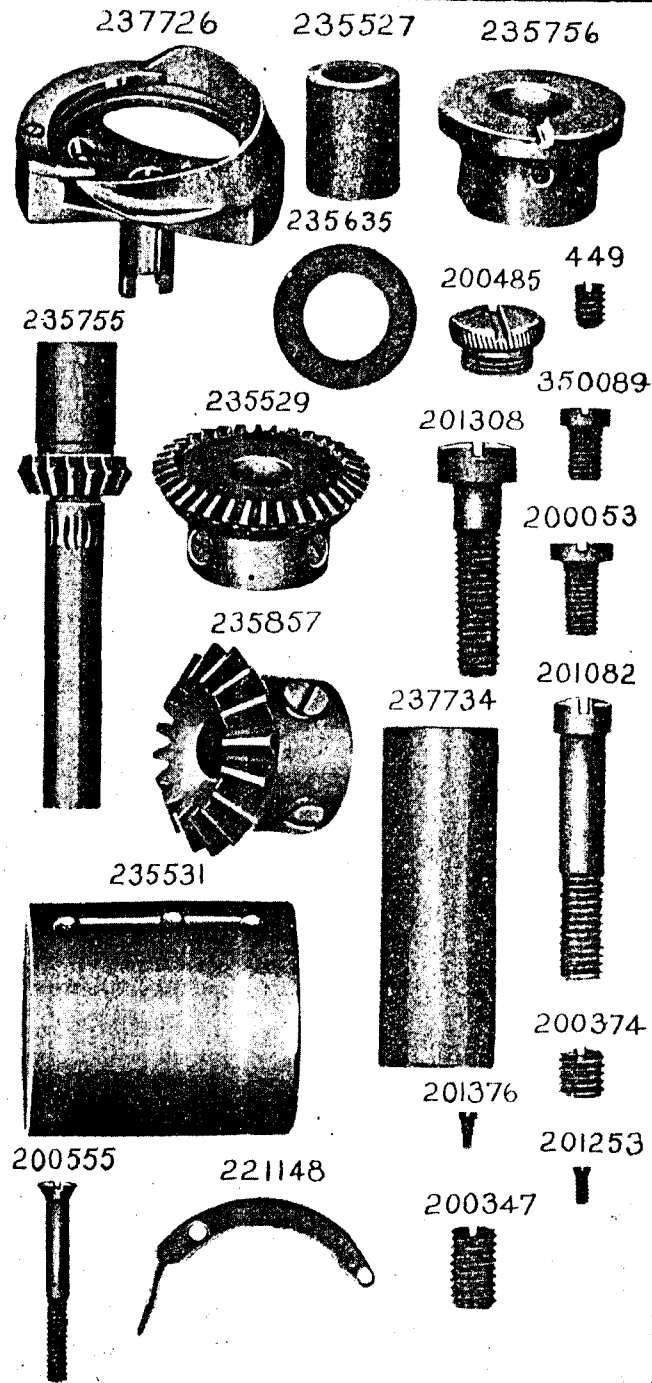


PLATE 14182—FULL SIZE

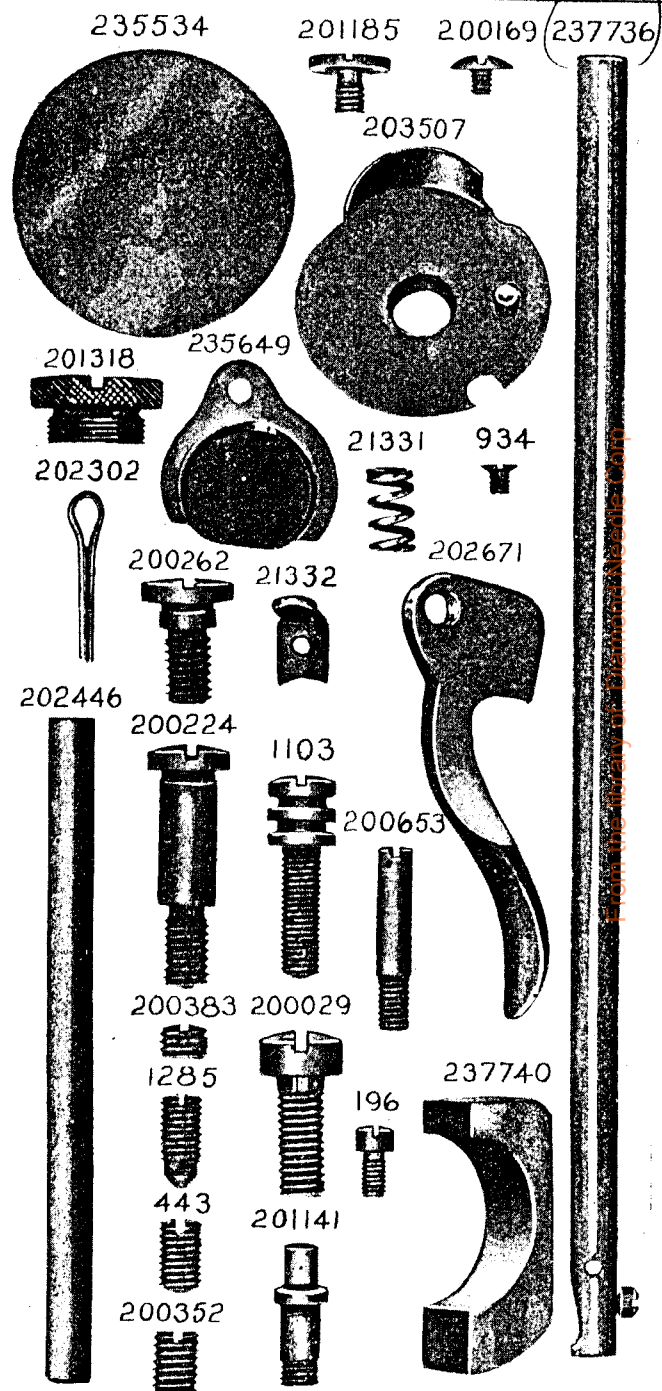


PLATE 14183—ONE-HALF SIZE

202692 202664 237744 202557

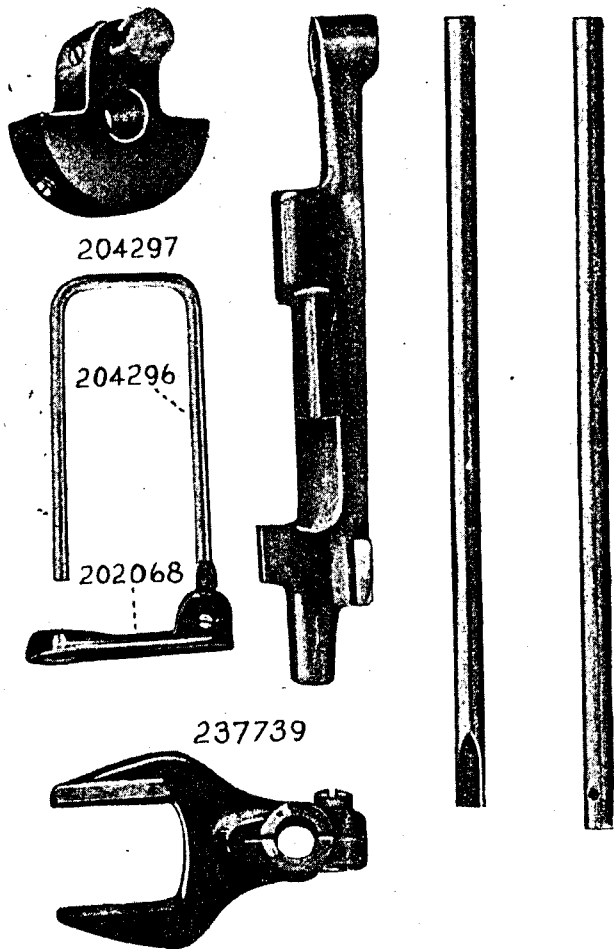


PLATE 14184—FULL SIZE

202337 210949 200975 202672

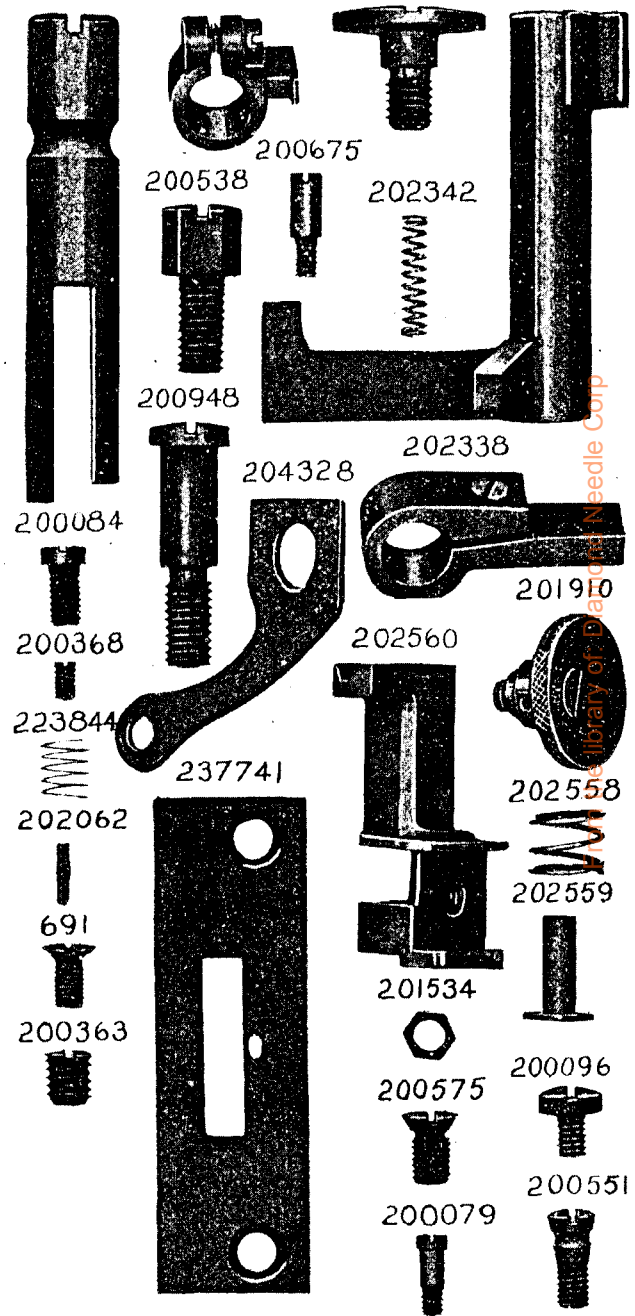
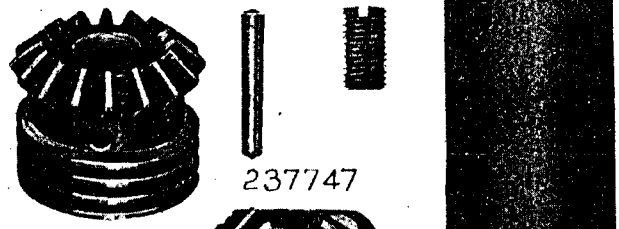
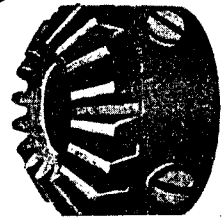


PLATE 14185—FULL SIZE

237745 205508 200346 237746



225487



200105



200522

228026



200526



200157



200529



202452

